

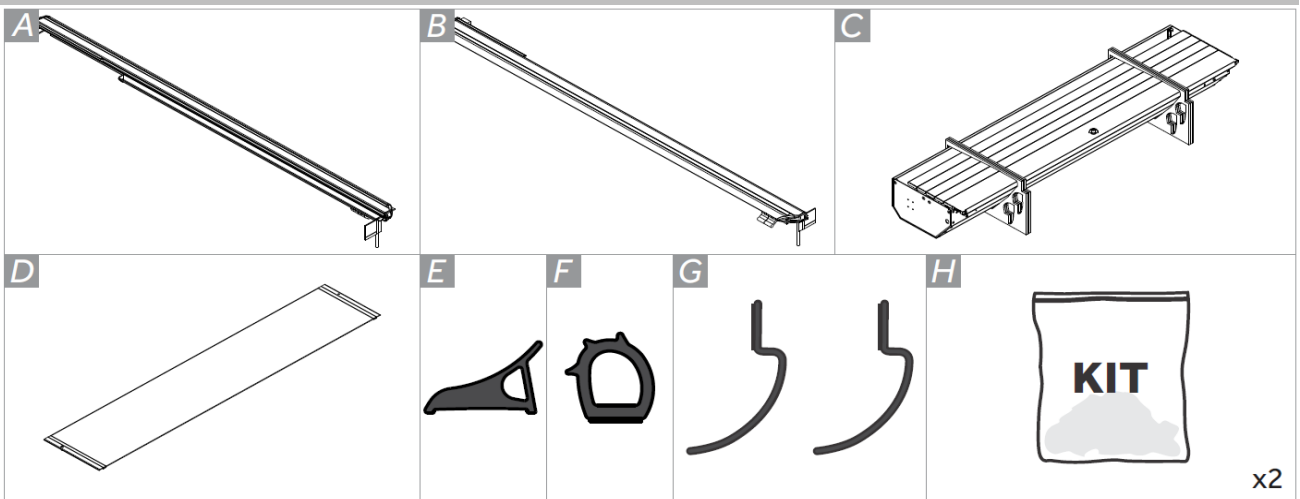


RVE SHUTTER LID (ALL MODELS WITHOUT SAILPLANES)

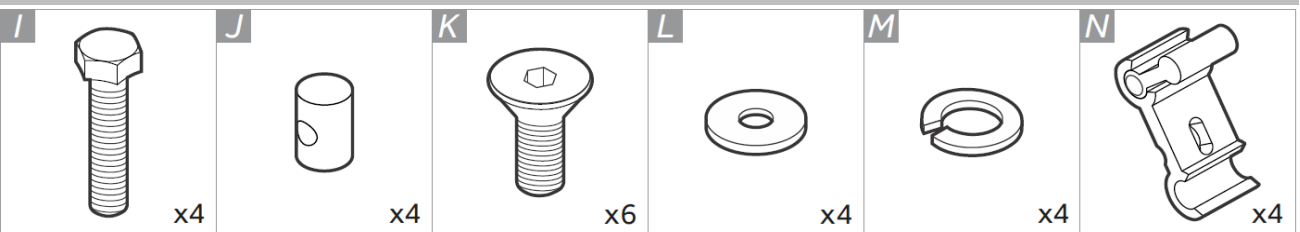
INSTALLATION INSTRUCTIONS



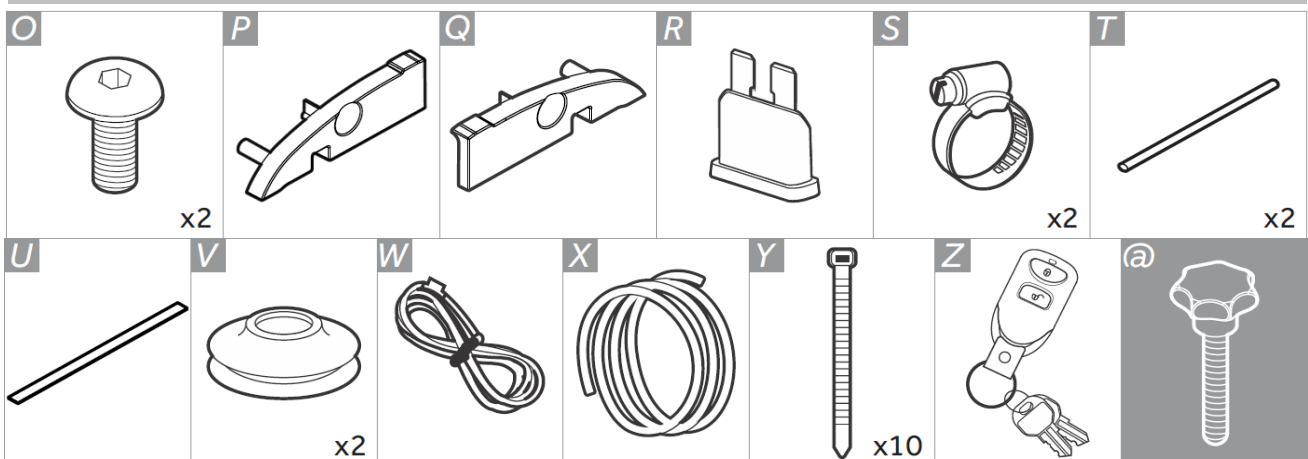
Components



Kit 1



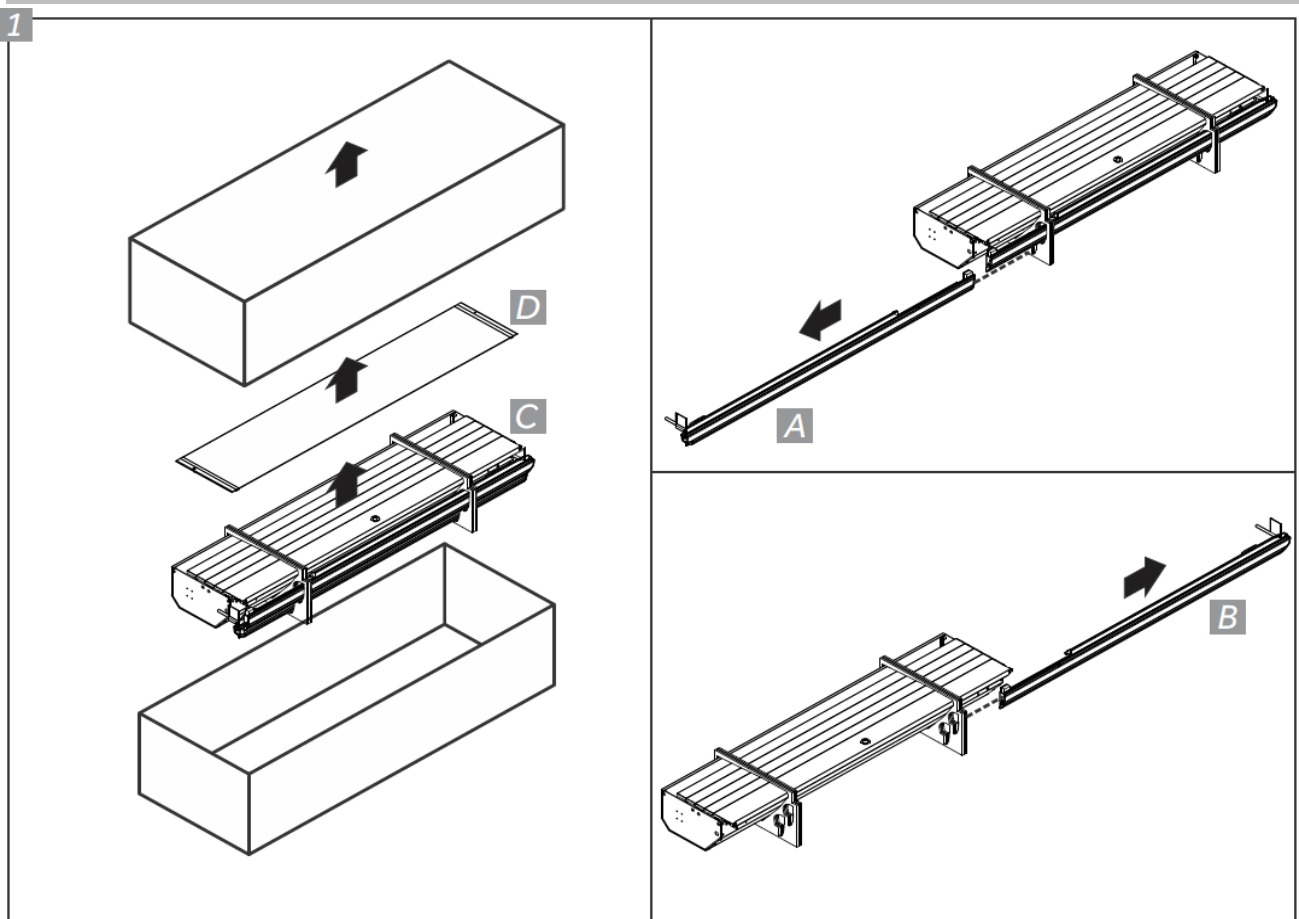
Kit 2



Tools

 H ₂ O		 11mm	 4&5mm		 Grease	
 Silicone Lubricant		 Alcohol	 20mm		 Cloth	
		 Urethane Sealant				

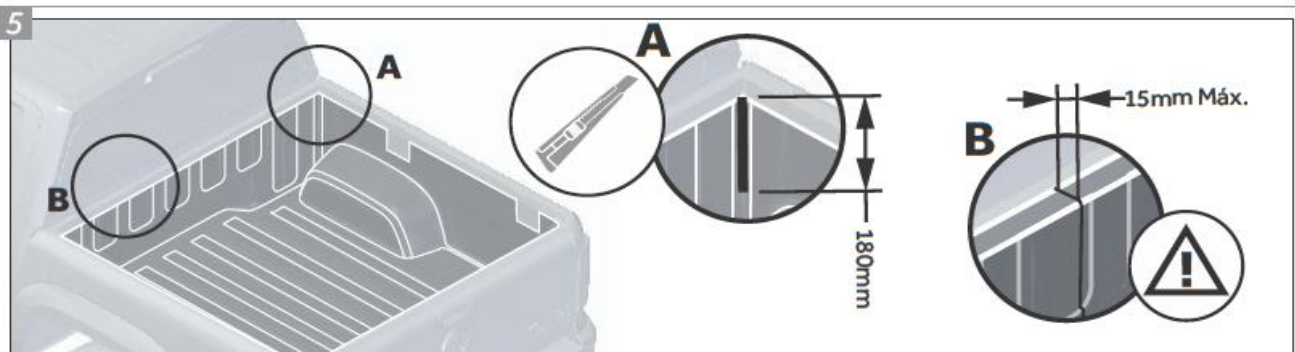
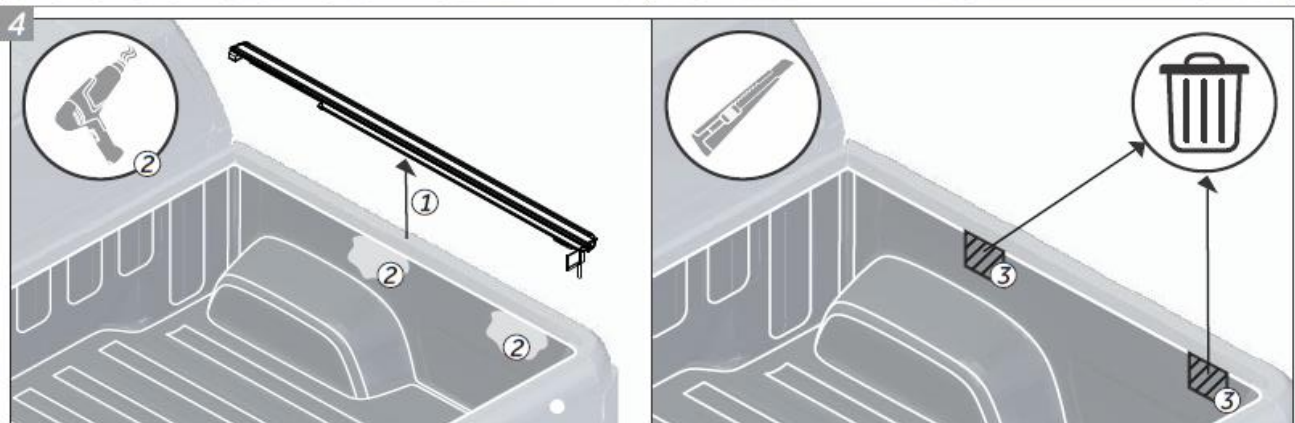
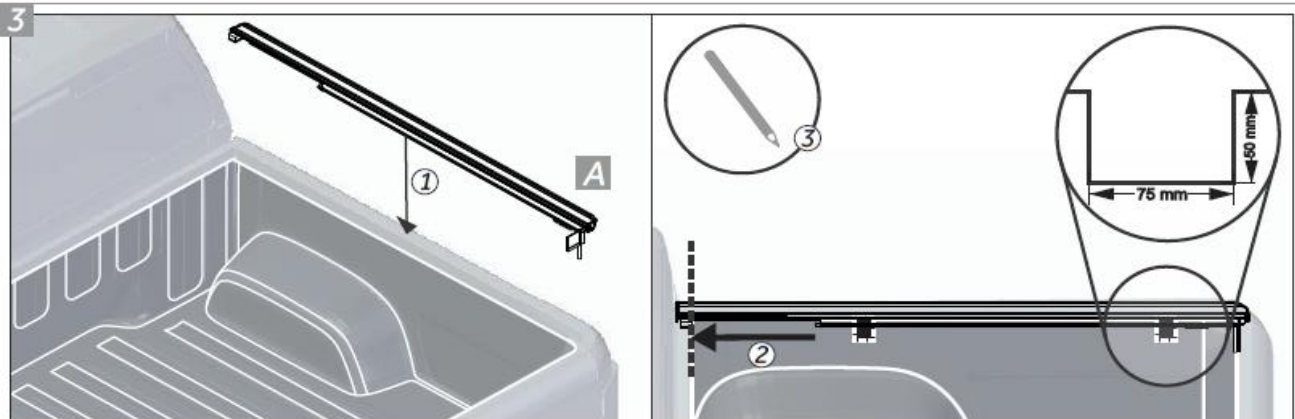
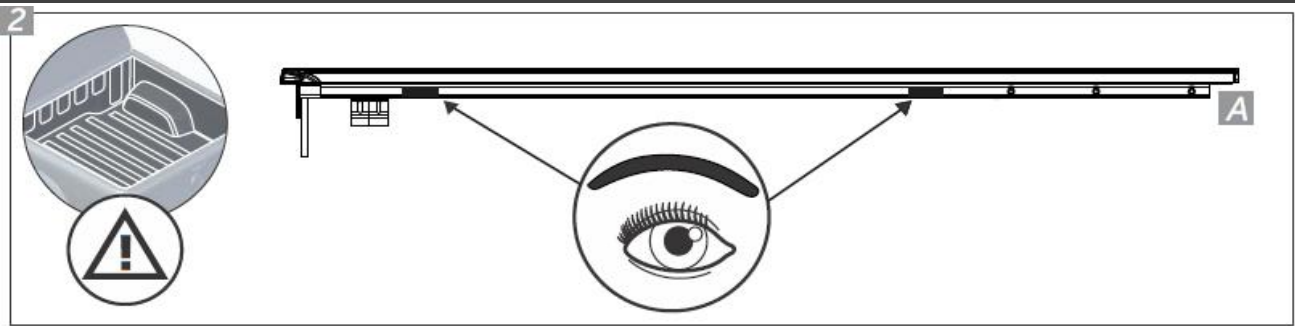
Unpacking the product



Be sure to keep the cardboard "ribs" on the shutter cartridge until step 11

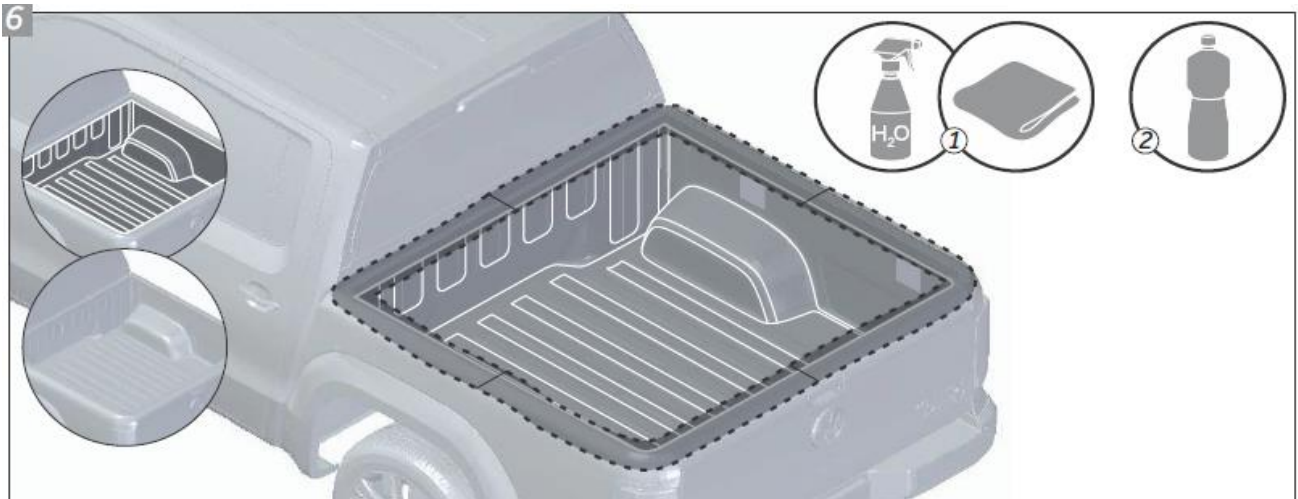
Installation Instructions

If your tray has a bed liner, it may be necessary to modify it to fit the RVE SHUTTER LID



If you require further guidance, please contact us 0800 738 7648 (NZ) or 1800 639 103 (AUS)

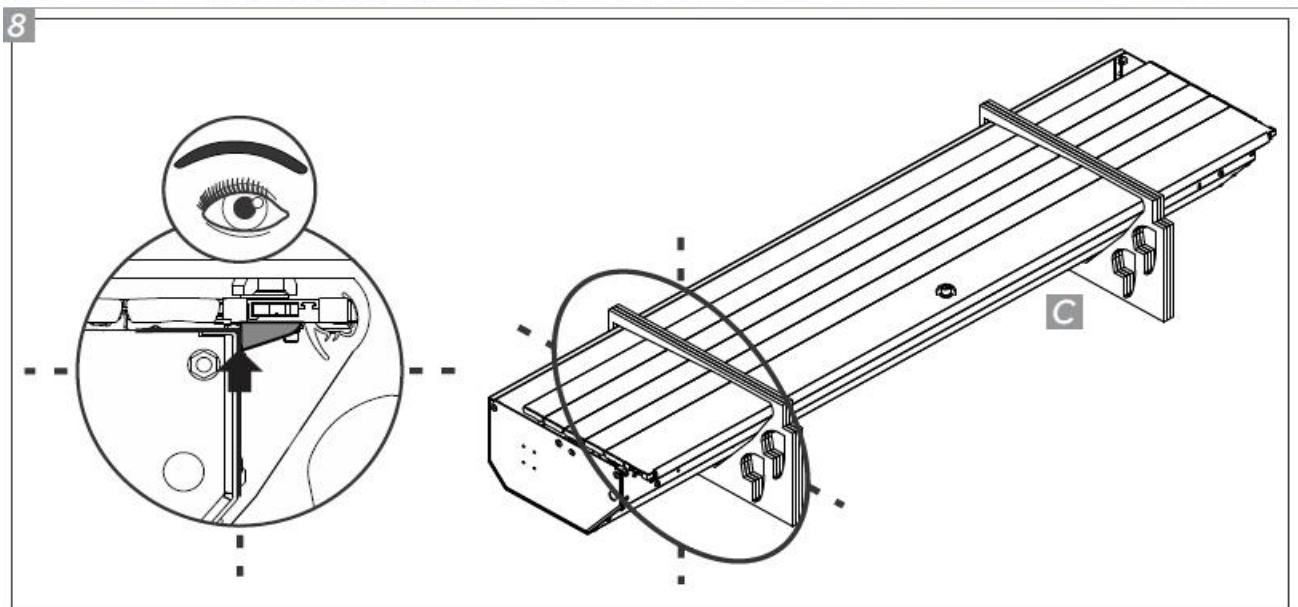
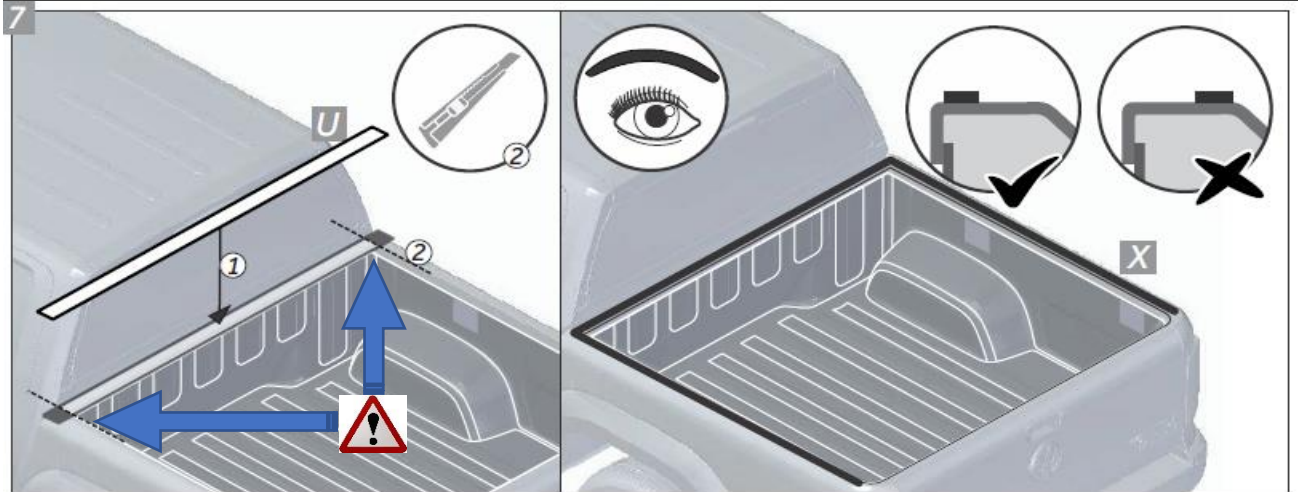
Installation Instructions



Remove any tie down points located inside the rear tray

Fill any gaps and/or holes with urethane sealant. Pay attention to the corners indicated (step 7)

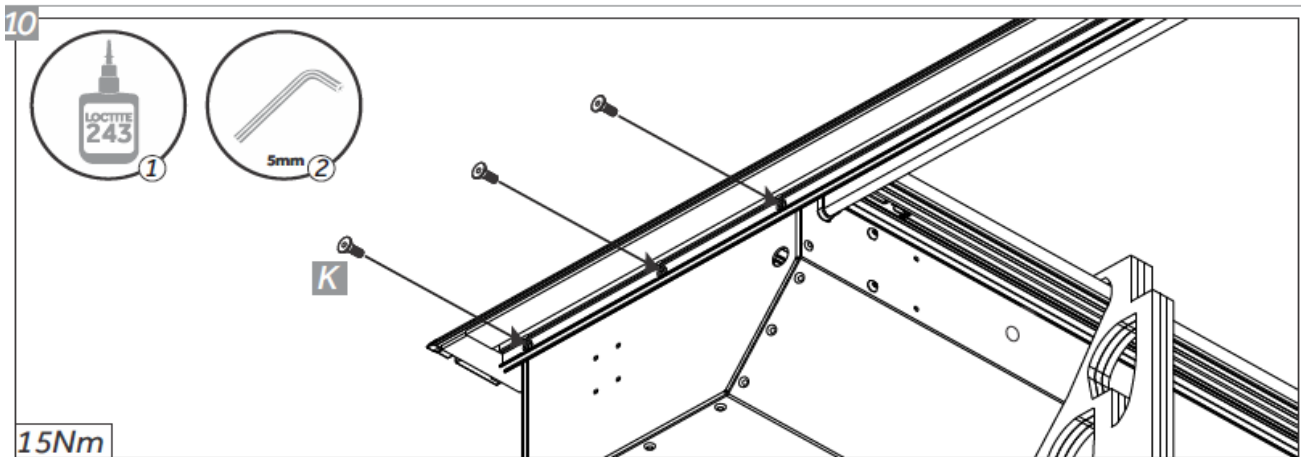
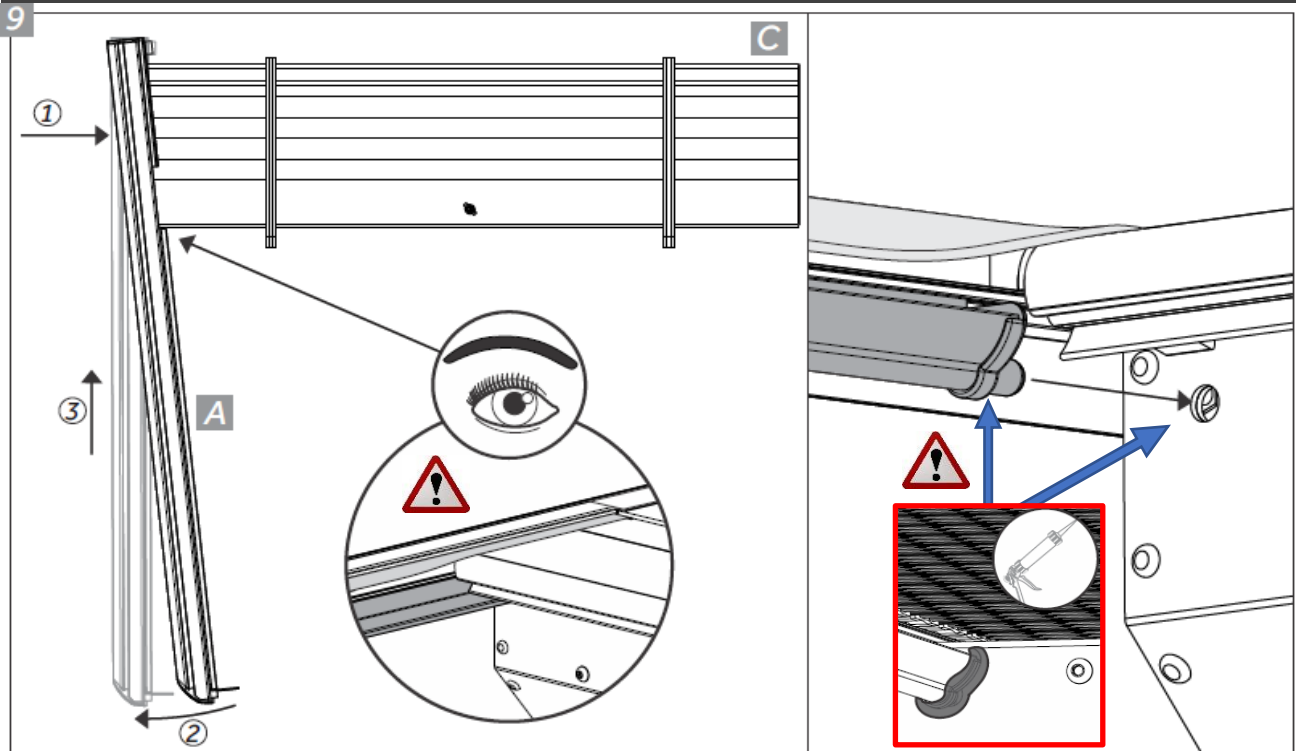
Fit foam strips on inner top edge as indicated (step 7)



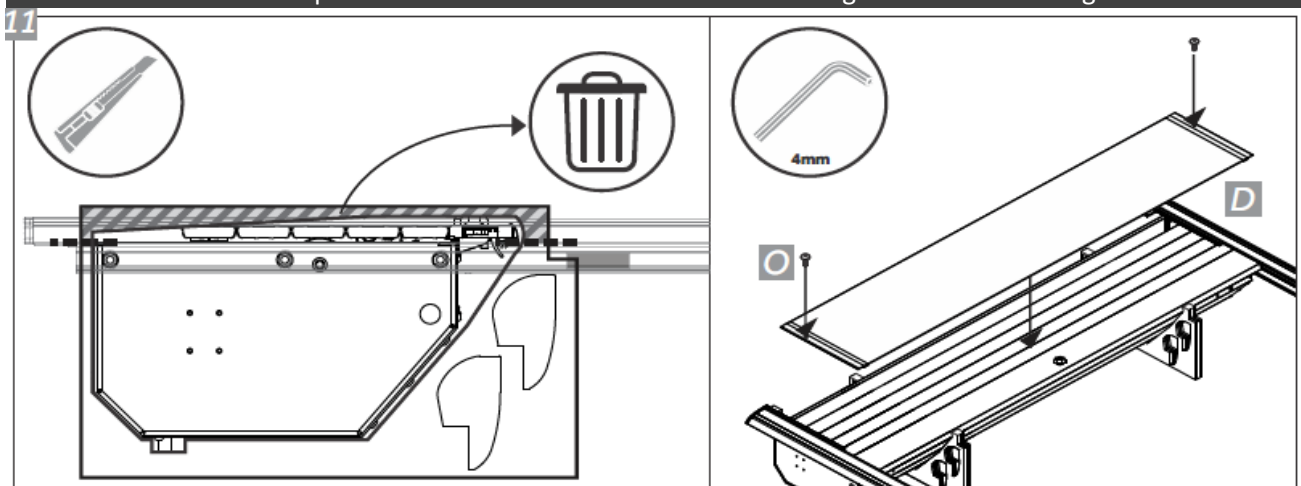
Ensure stop-wedge is on outside of the shutter cartridge (step 8)

Installation Instructions

Ensure that the scraper rubber is lifted over the shutters, and drain gutter tube is pushed inside the matching hole on the shutter cartridge (step 9)

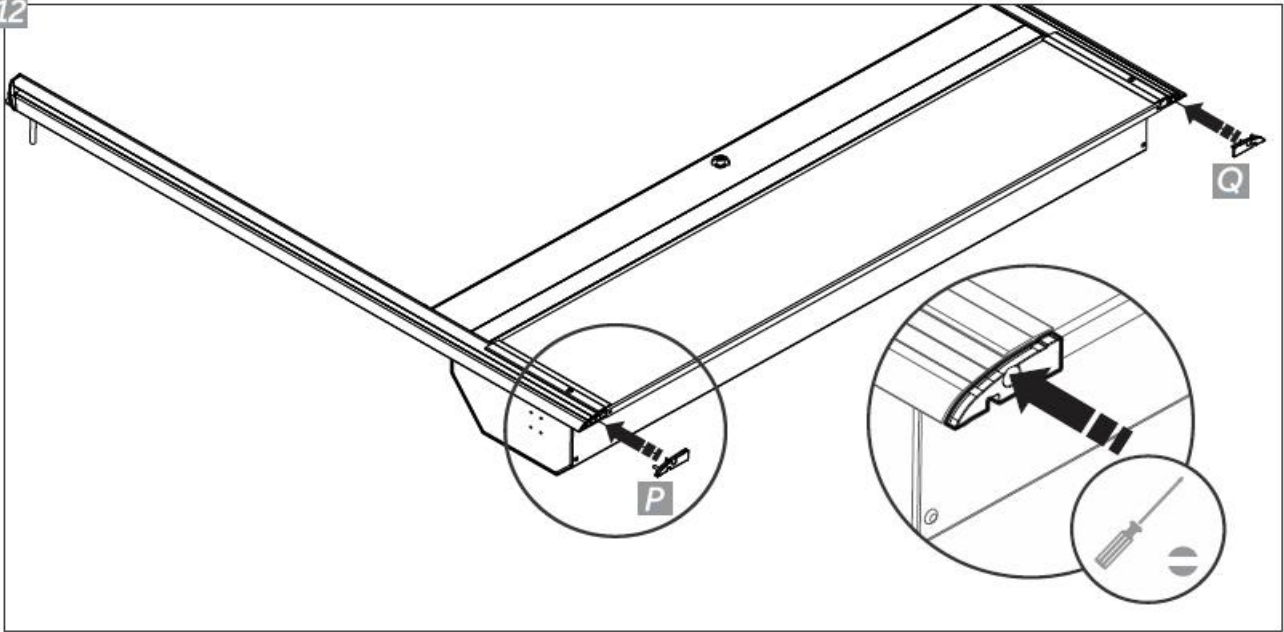


Cut off top section of the cardboard "ribs" surrounding the shutter cartridge

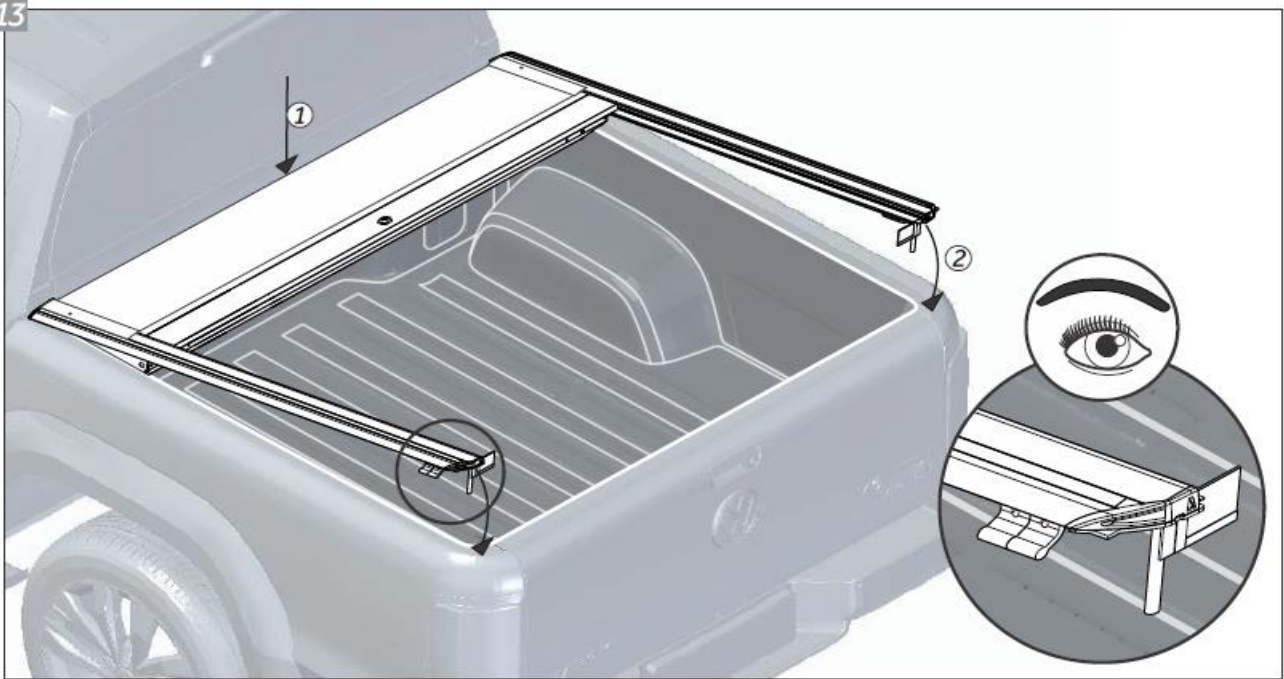


Installation Instructions

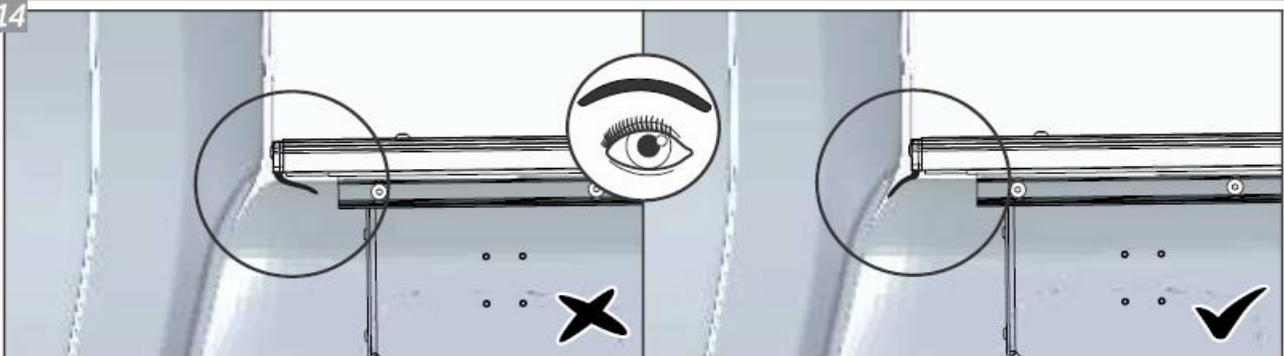
12



13



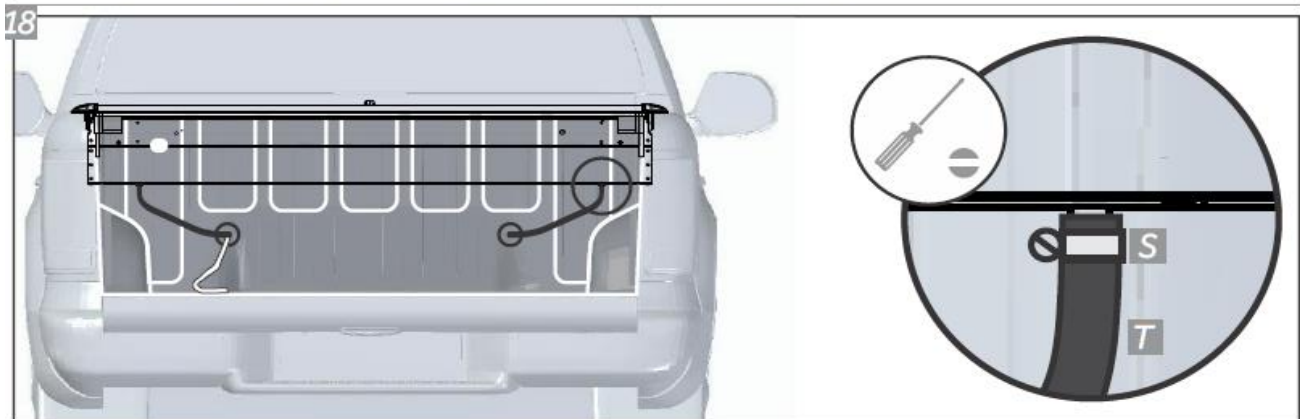
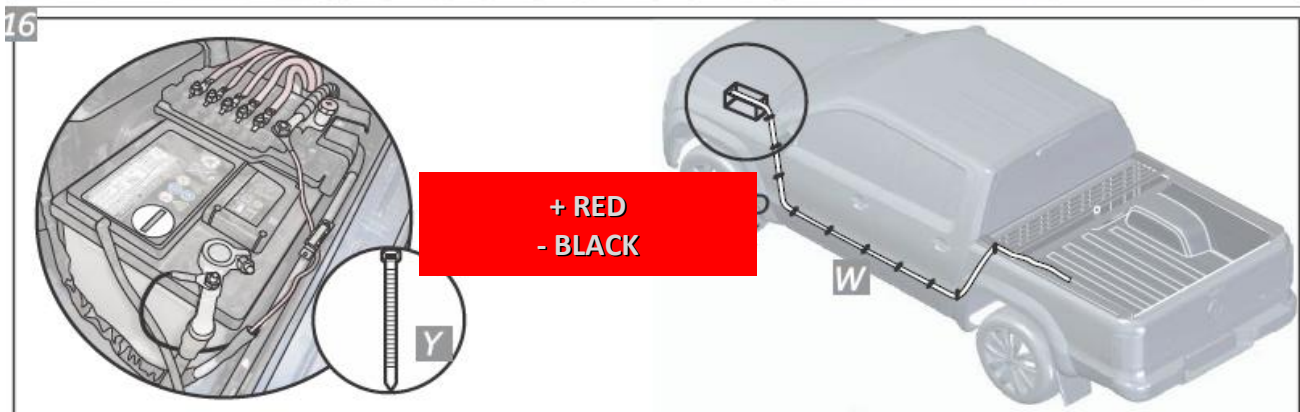
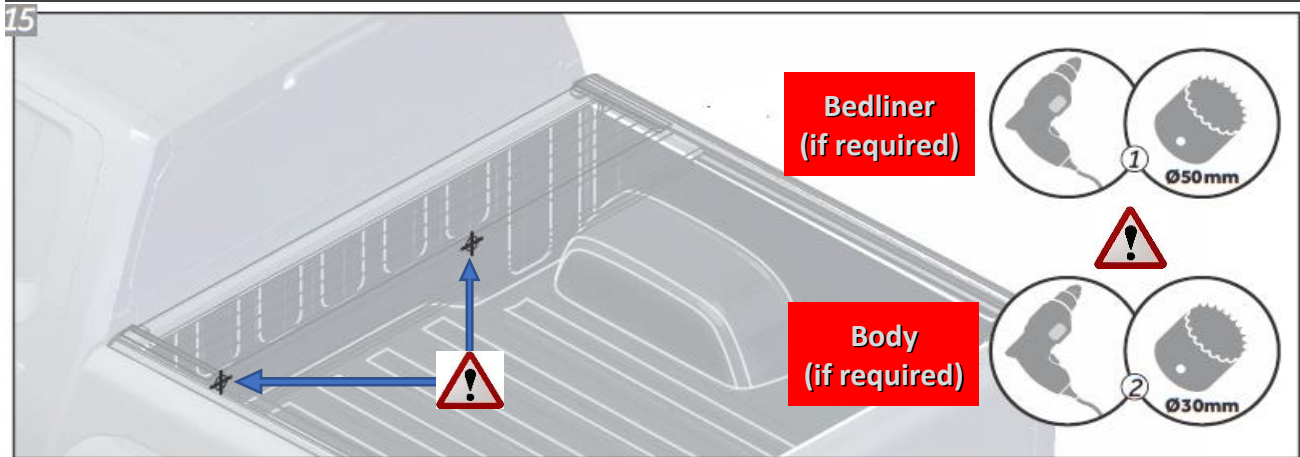
14



Ensure that the rubber flap is fitting over the front edge of the tray

Installation Instructions

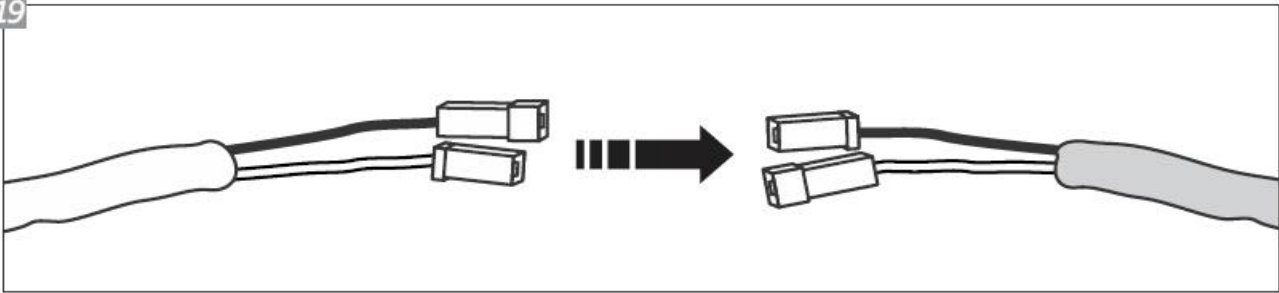
Inspect bedliner & tub prior to drilling, as some models have factory holes that can be used.



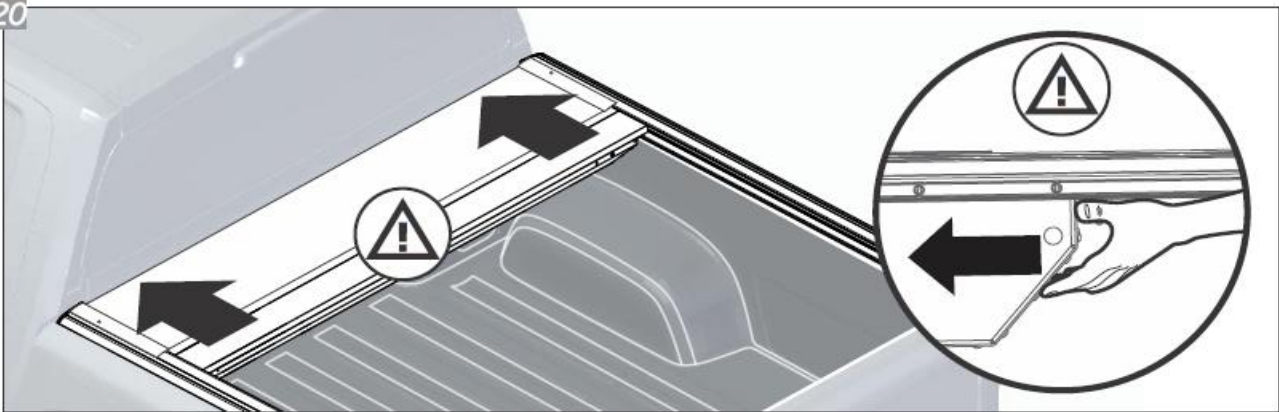
Installation Instructions

Plug in electrical connectors. Then push in tray assembly toward front of tray, until flush and even.
Line up clamps with spacing wedges (and holes cut in liner if applicable)

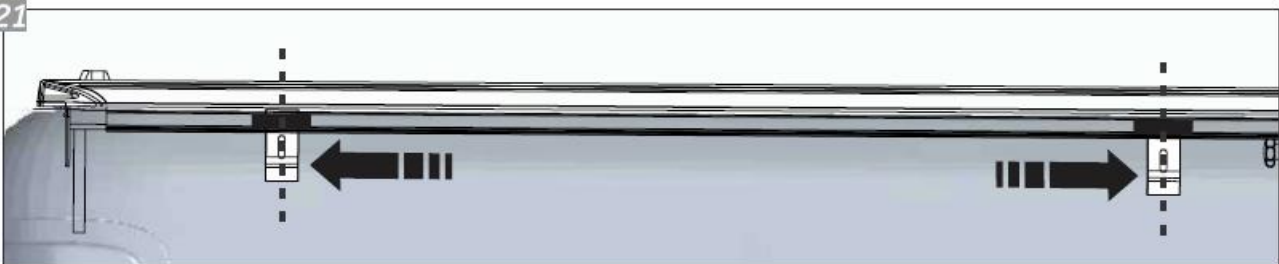
19



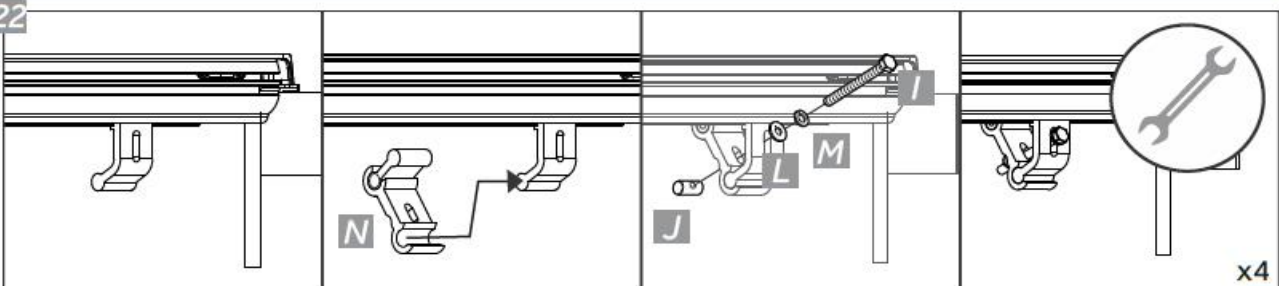
20



21



22



23

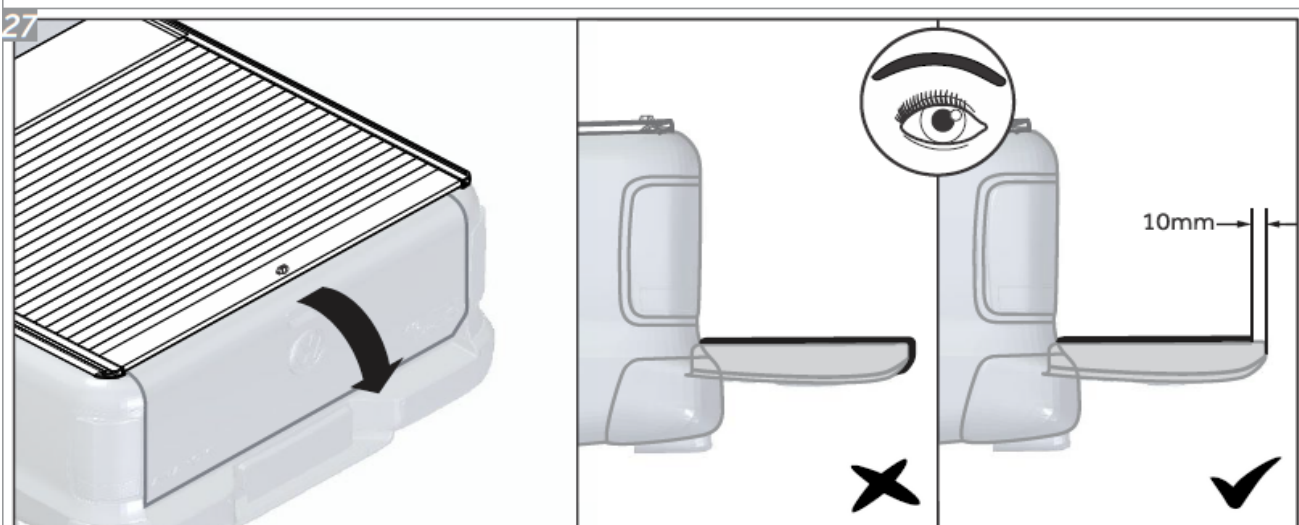
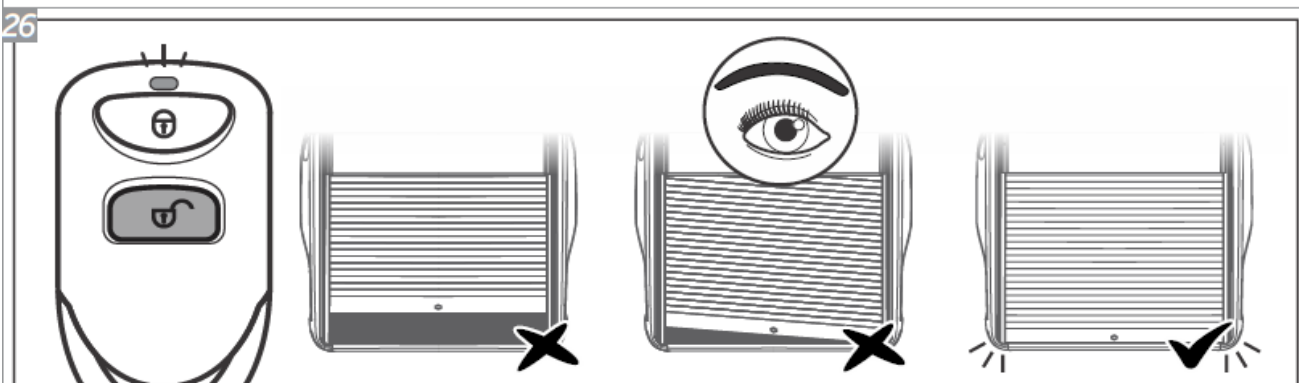
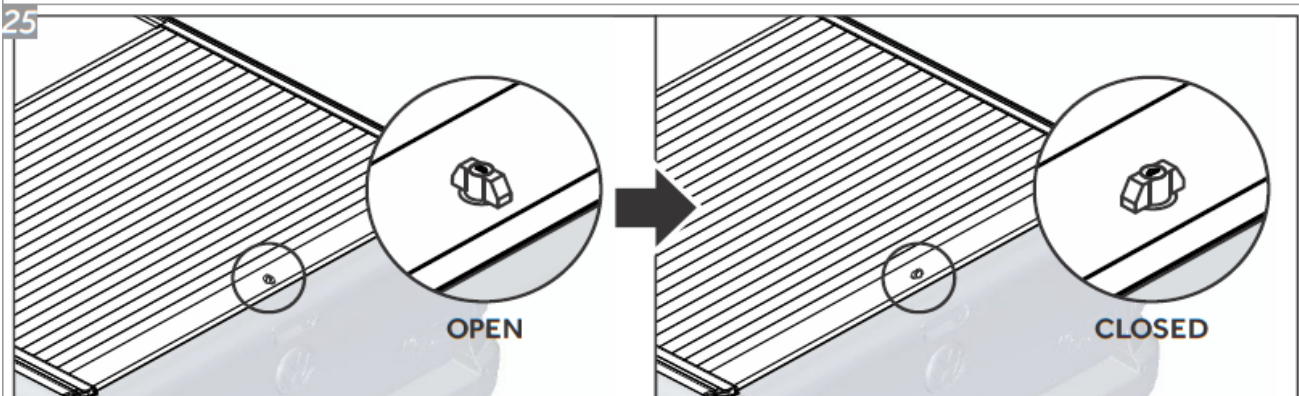
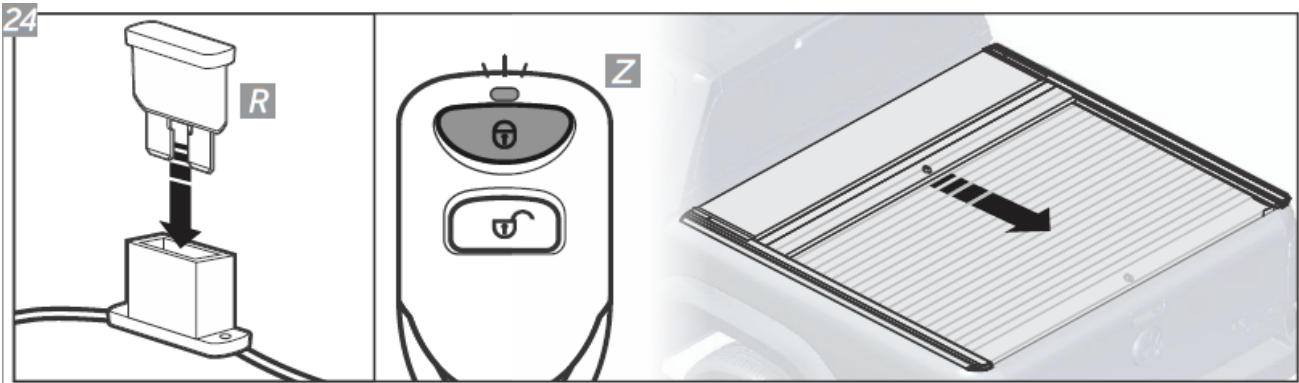


Measure the width between rails and ensure an even width. Adjust spacers as necessary.

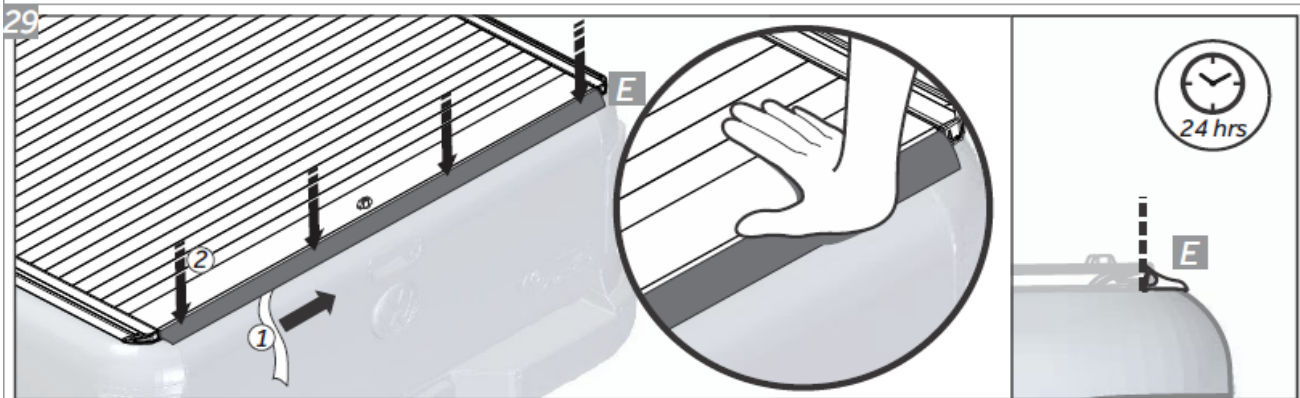
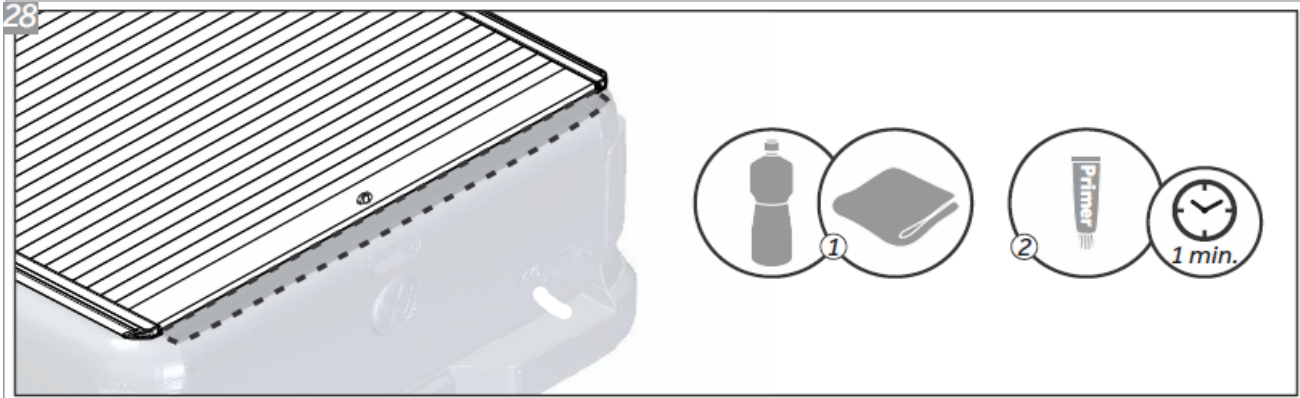
Installation Instructions

Insert fuse into fuse holder. Press buttons on remote to operate. Check for correct operation.

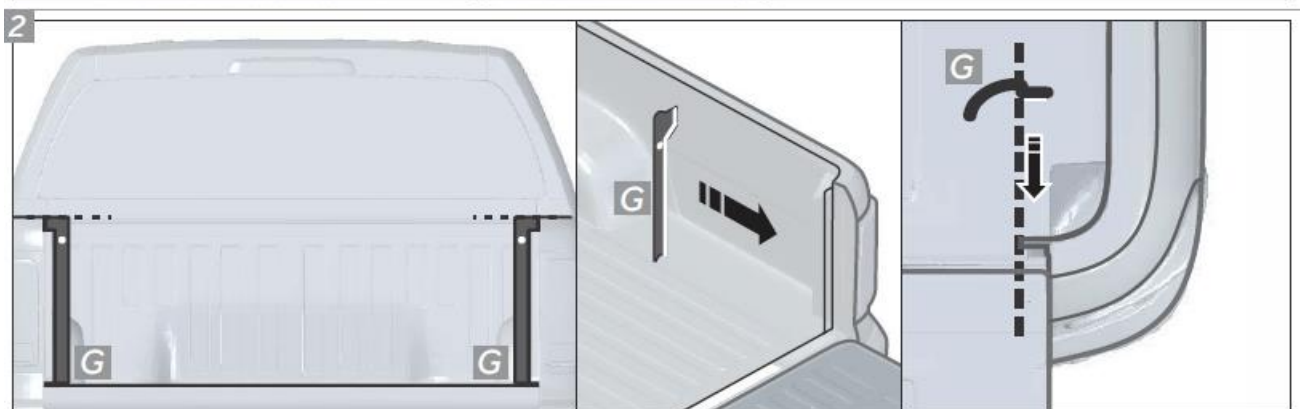
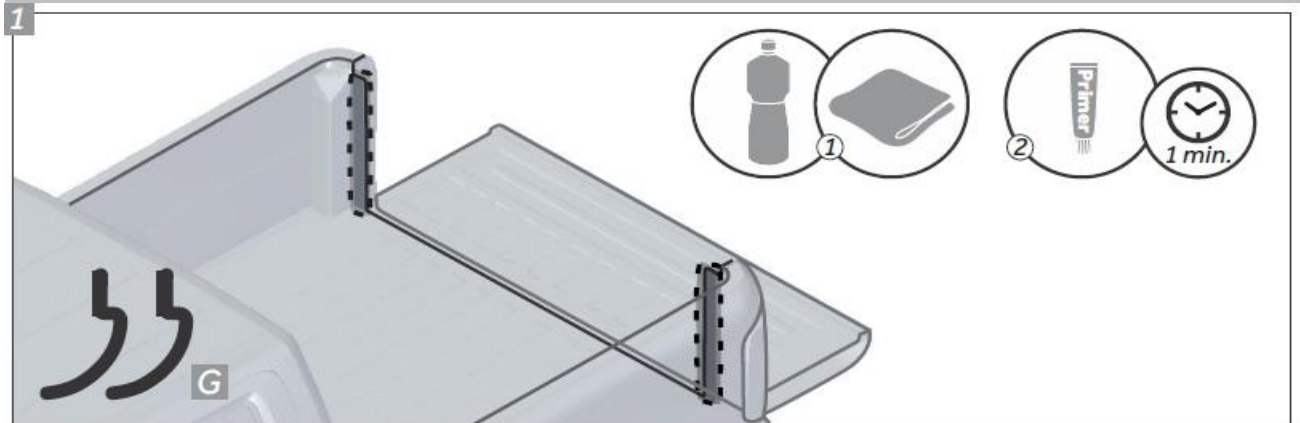
*If Tray liner is installed, trim if required to ensure flush fitment on tailgate (step 27)



Installation Instructions

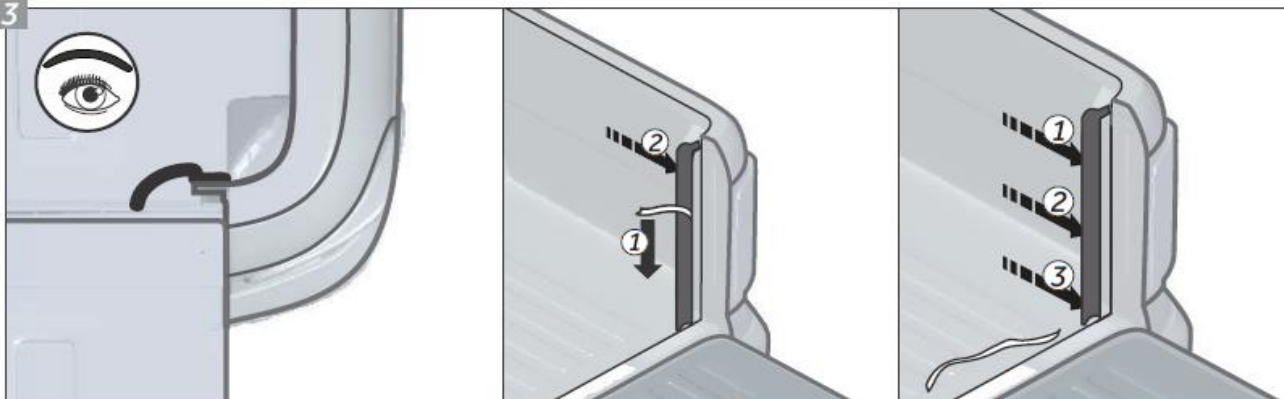


Tailgate Sealing

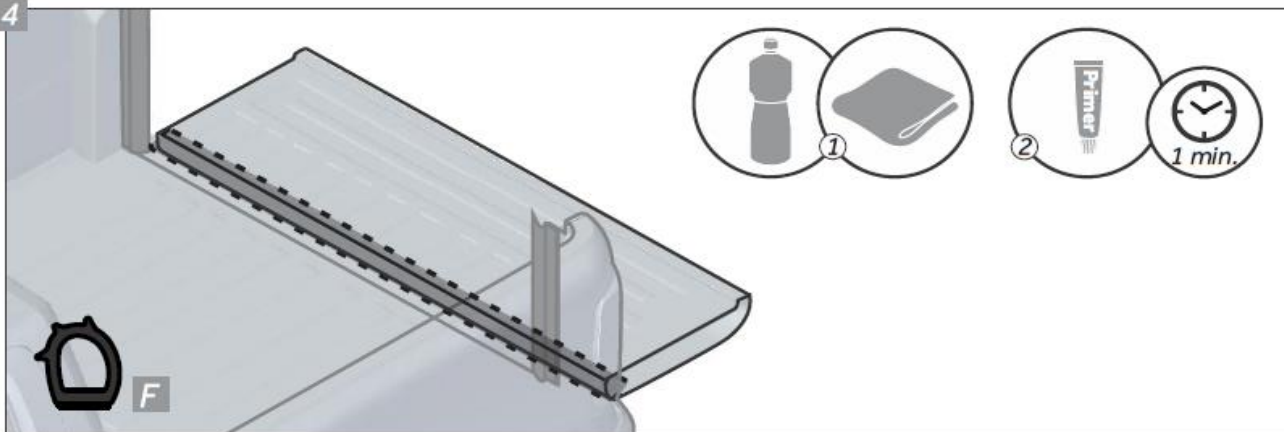


Tailgate Sealing

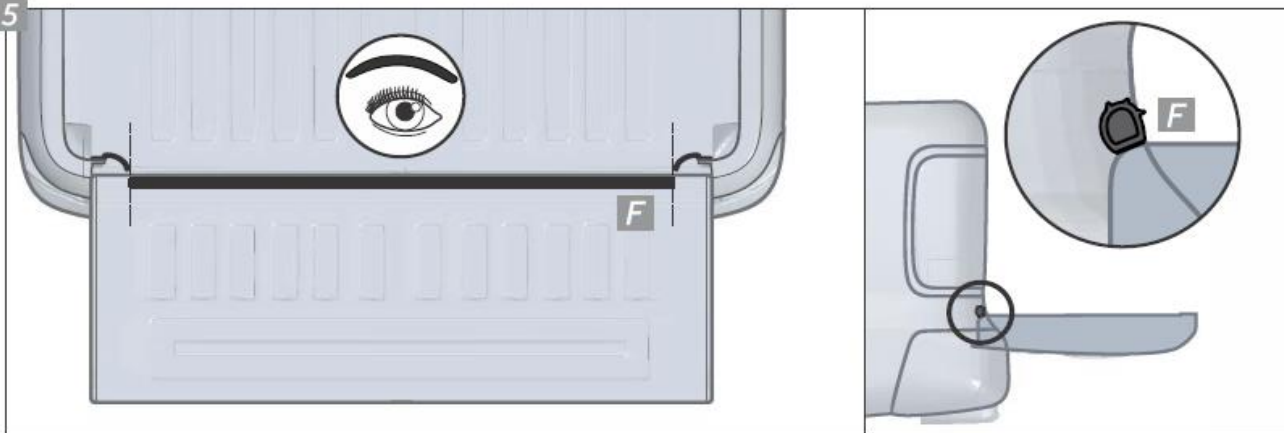
3



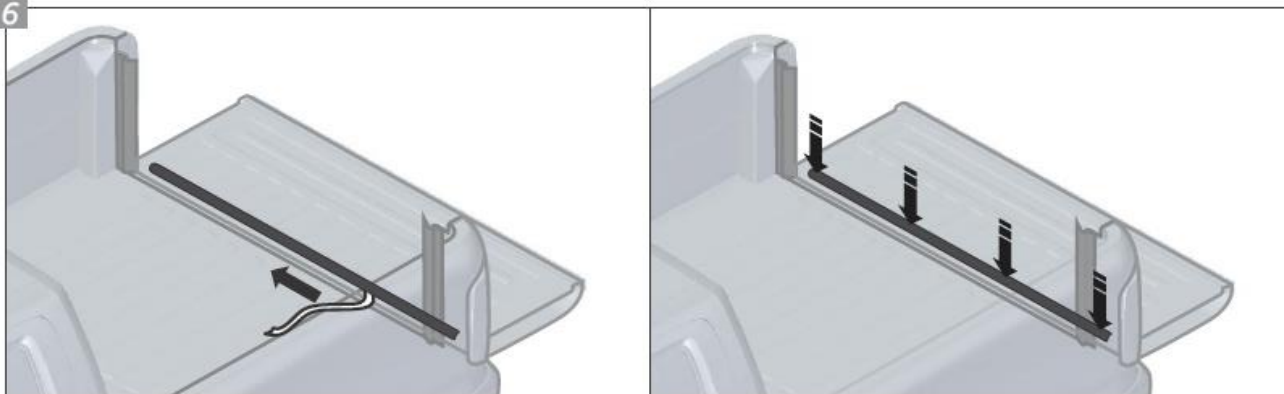
4



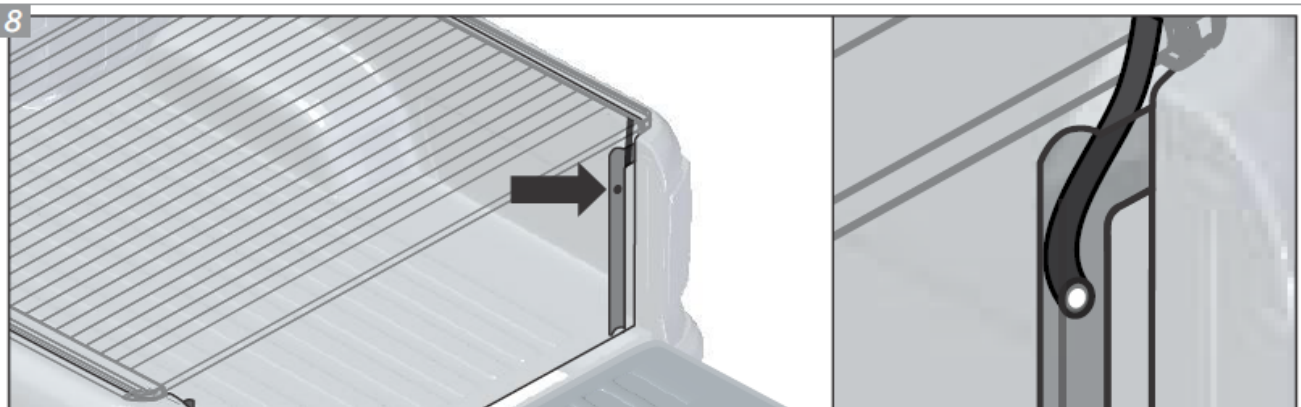
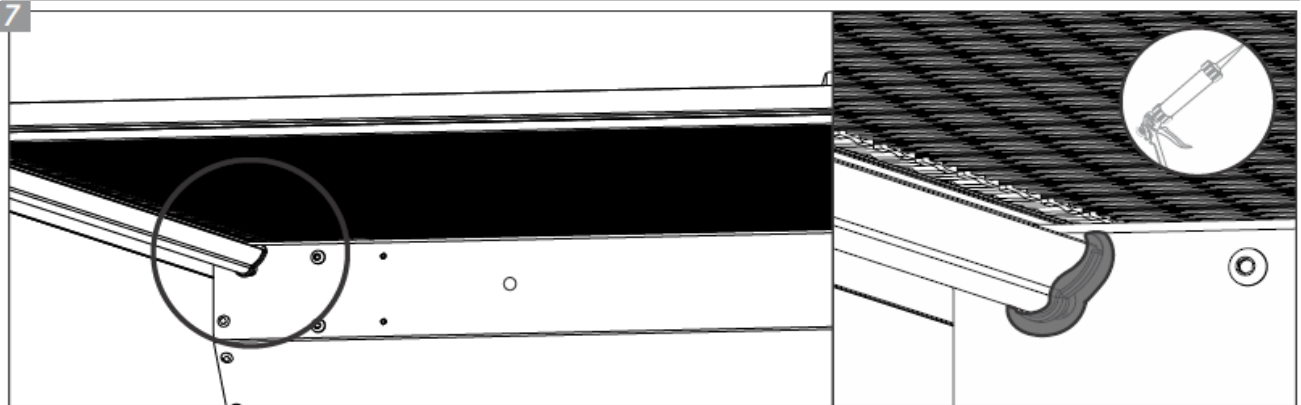
5



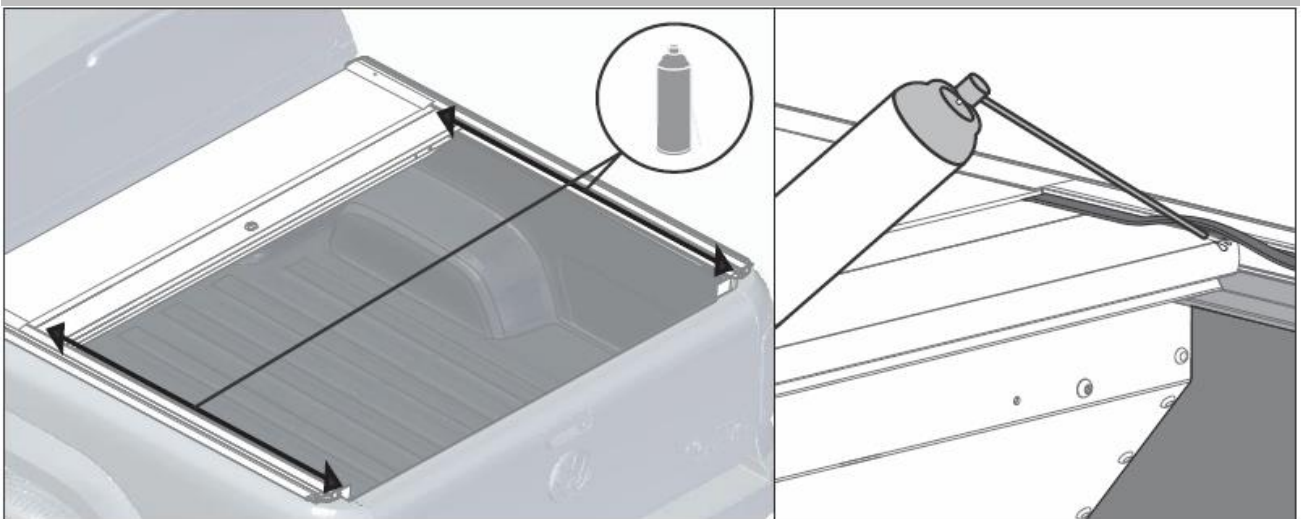
6



Gutter drain installation and sealing



Lubrication



JP Deyzel
v1a 2019-09-25

RVE VEHICLE ENHANCEMENT
0800 738 7648 (NZ FREECALL) | rve.co.nz
1800 639 103 (AUSTRALIA FREECALL) | rveinternational.com

